

DRG No
BL/D12886 INST

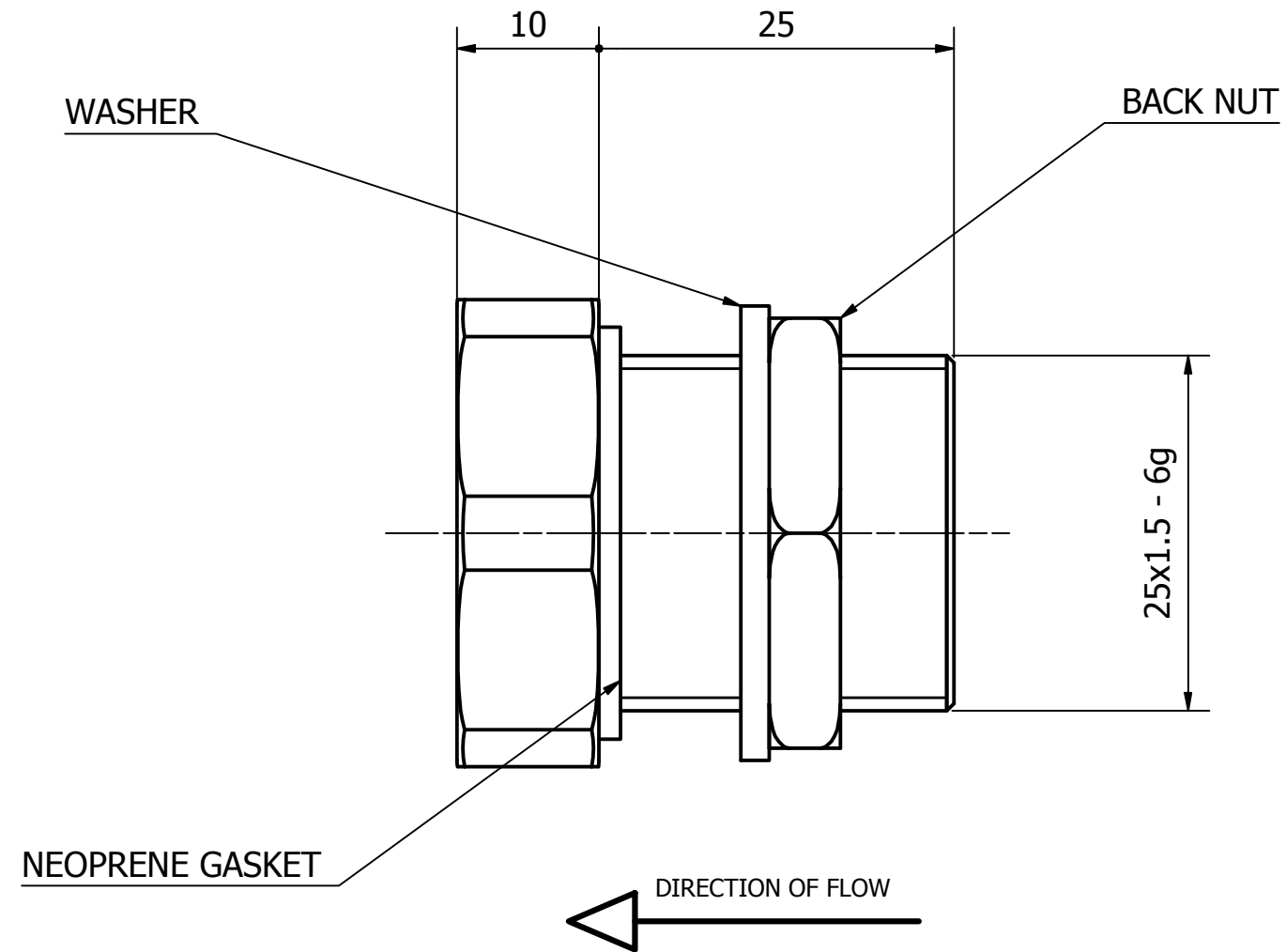
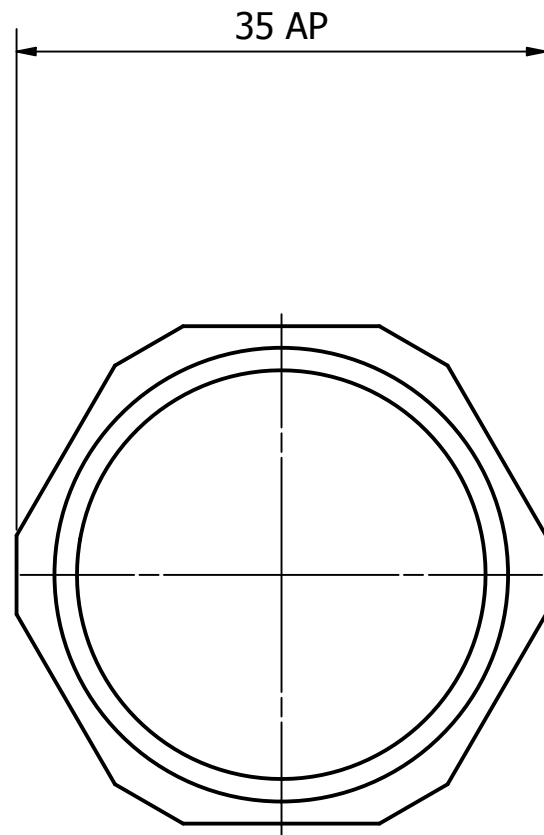
REMOVE ALL SHARP EDGES UNLESS SPECIFIED

THIRD ANGLE PROJECTION

DO NOT SCALE - ASK

USED ON -----

THIS DRAWING IS THE PROPERTY OF BROWNELL LTD. AND MAY NOT BE COPIED OR REPRODUCED WITHOUT THEIR PRIOR WRITTEN PERMISSION



0.1 PSI CRACKING PRESSURE

REMOVED O-RING RECESS	7042	2	16/11/18
ORIGINAL		1	15/11/18
CHANGE	MOD No	ISSUE	DATE

MATERIAL
ALUMINIUM ALLOY
BS1474 HE30TF
OR BS4300/5

PROTECTIVE FINISH
BLACK
ANODISED
TO DEF STAN 03-25

UNLESS OTHERWISE STATED	ANGULAR DIMS	LINEAR DIMS
	± 0.5°	0 =± 0.5 0.0 =± 0.25 0.00 =± 0.05
SURFACE ROUGHNESS		
DIMENSIONS IN in/mm		mm
SCALE (ORIGINAL)		2:1

BROWNELL Ltd. LONDON NW10 7XF

RED DOT=ORIGINAL
BLACK DOT=COPY

DRAWN LDW
CHECKED NP

EST. WT. ----

TITLE
HIGH FLOW OUTWARD VALVE WITH GASKET

DRAWING NUMBER
BL/D12886 INST