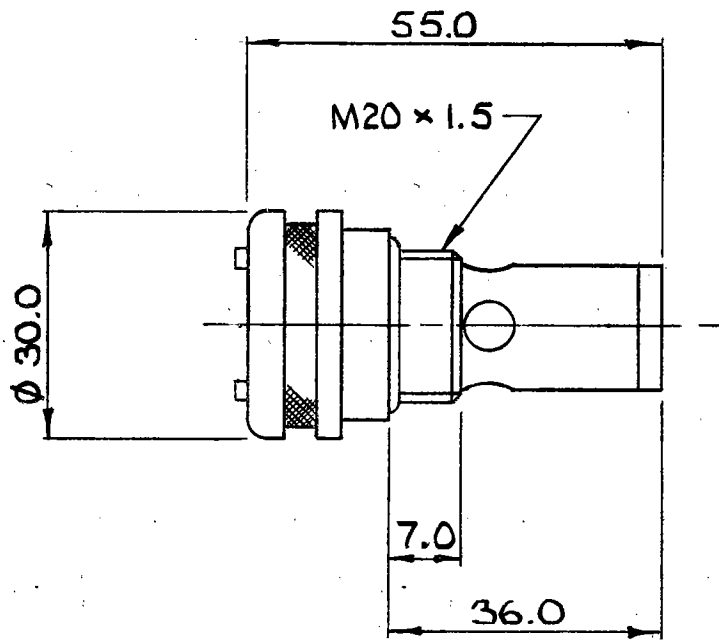


DRG. No.  
BL/D 4140 INST.

THIRD ANGLE  
PROJECTION

USED ON



REPLACE DESICCANT WHEN INDICATOR IS NO LONGER BLUE.  
REFILL REF. No: BL/D 2431 NSN 4440-99-646-4329

NOTES

1. THREAD TO BE NATURAL FINISH FOR R.F. SCREENING CONTINUITY.
2. DESICCANT:- 4A BEADED MOLECULAR SIEVES.
3. PACKAGED FOR A SHELF LIFE OF 5 YEARS.
4. ADDITIONAL R.F. SCREEN FITTED BEHIND THE STANDARD SCREEN TO INCREASE ATTENUATION.

THIS DESIGN IS THE PROPERTY OF BROWNELL LTD. AND MAY NOT BE COPIED OR REPRODUCED WITHOUT THEIR PRIOR WRITTEN PERMISSION.

MATERIAL SEE DETAIL DRGS.	PROTECTIVE FINISH ANODISED (EXCEPT WHERE STATED)	NSN ADDED	4012	C	13.9.91
		7.0 WAS 10.0	2890	B	29.3.85
EST. WT. _____				A	10.8.84
DIMNS IN mm	SURFACE ROUGH _____	TOLERANCES	± 1.0		
SCALE 1/1		CHANGE	MOD. No.	ISSUE	DATE

BROWNELL LIMITED LONDON N.W.10

DRAWN  
JA

CHKD.

SUB CONT.

SUB CONT. DRG. REF.

TITLE 4440-99-144-2499  
R.F. SCREENED DESICCANT -  
CONTAINER DEHUMIDIFIER  
(BREATHING TUBE)

DRAWING No.

BL/D 4140 INST.