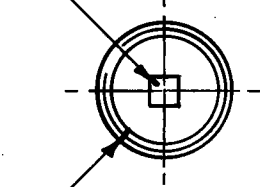


DRG. No.  
BL/D4850 INST

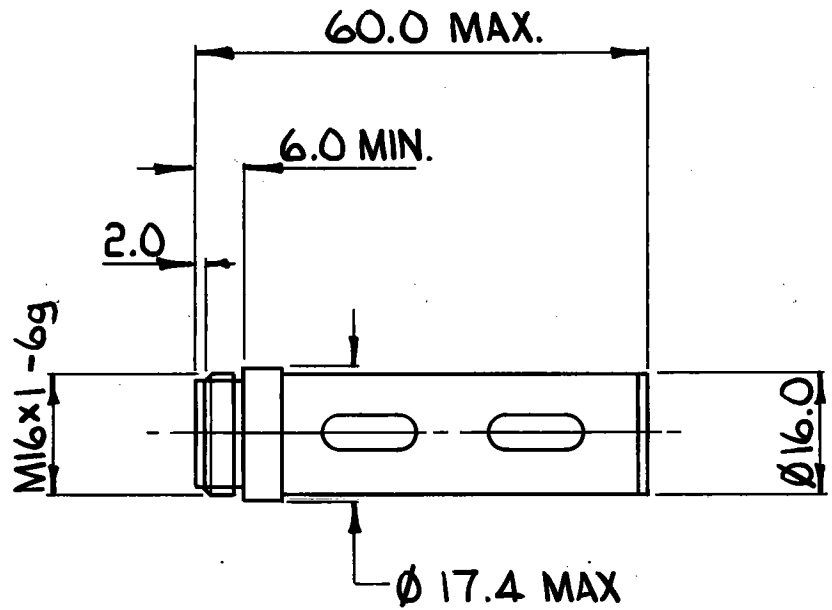
THIRD ANGLE  
PROJECTION

USED ON

HUMIDITY INDICATOR  
10% R.H AT 25°C



FILLER PLUG



NOTES

1. CONTAINS APPROX 4g MOLECULAR SIEVES DESICCANT - GRADE 4A, 1-3 mm BEAD, SPEC. TS10273.
2. PACKAGED FOR A SHELF LIFE OF 5 YEARS.
3. CONFORMS TO DEF. STAN 44-2 WHERE APPLICABLE.
4. DESICCANT REFILL PT No BL/D2807/13

THIS DESIGN IS THE PROPERTY OF BROWNELL LTD. AND MAY NOT BE COPIED OR REPRODUCED WITHOUT THEIR PRIOR WRITTEN PERMISSION.

MATERIAL ALUM ALLOY	PROTECTIVE FINISH ANODISED & DYED BLACK				
		FINISH UPDATED	5979	B	2.9.02
EST. WT. —				A	4.9.89
DIMNS IN mm	SURFACE ROUGH	CHANGE	MOD. No.	ISSUE	DATE
SCALE 1/1	—	TOLERANCES ± 0.5			
BROWNELL LIMITED LONDON N.W.10			DRAWN JA	CHKD. JK	
SUB CONT.		SUB CONT. DRG. REF.			
TITLE DESICCANT CONTAINER DEHUMIDIFIER (TUBULAR)		DRAWING No. BL/D4850 INST			