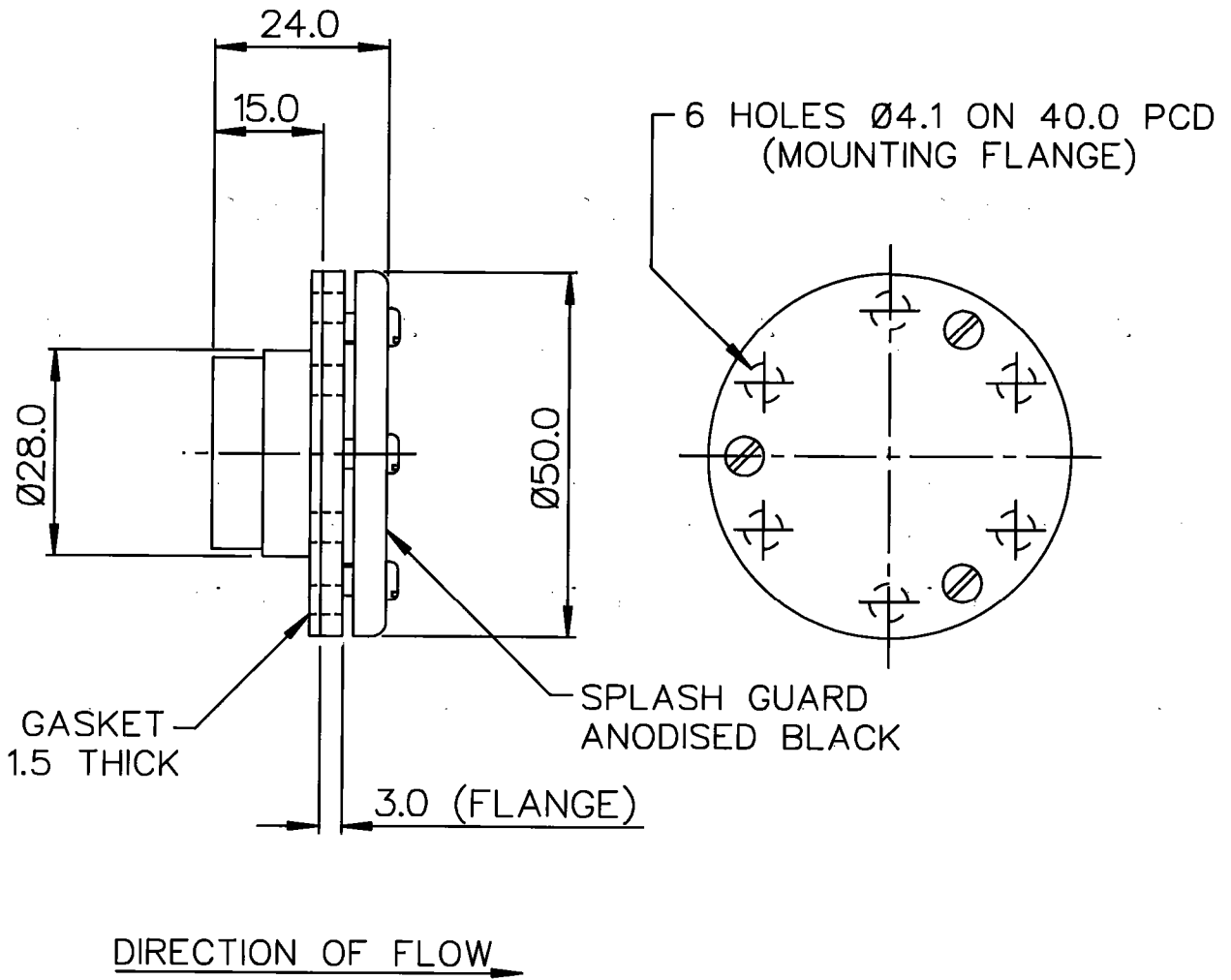


DRG. No.

BL/D 5944 INST

THIRD ANGLE
PROJECTION

USED ON



VALVE OPENS BY 0.5 PSI.
VALVE CLOSSES 0.25 PSI BELOW OPENING PRESSURE.
NOMINAL FLOWRATE 360 CFH AT 1 PSI.

THIS DESIGN IS THE PROPERTY OF BROWNELL LTD. AND MAY NOT BE COPIED OR REPRODUCED WITHOUT THEIR PRIOR WRITTEN PERMISSION.

| | | | | |
|---|--|-------------------------------|-------------|-------------|
| MATERIAL VALVE BODY NYLON SPLASH GUARD ALUM ALLOY | PROTECTIVE FINISH ALUM ALLOY ANODISED BLACK | | | |
| EST. WT. — | | 4115 | B | 8/6/92 |
| DIMNS IN mm | SURFACE ROUGH | | A | 2/3/92 |
| SCALE 1 : 1 | — | CHANGE | MOD. No. | ISSUE DATE |
| | | TOLERANCES ±0.5 | | |
| BROWNELL LIMITED LONDON N.W.10 | | | DRAWN LJ | CHKD. US |
| SUB CONT. | | SUB CONT. DRG. REF. | | |
| TITLE RELIEF VALVE — OUTWARD (WITH SPLASH GUARD) | | DRAWING No. BL/D 5944 INST | | |