

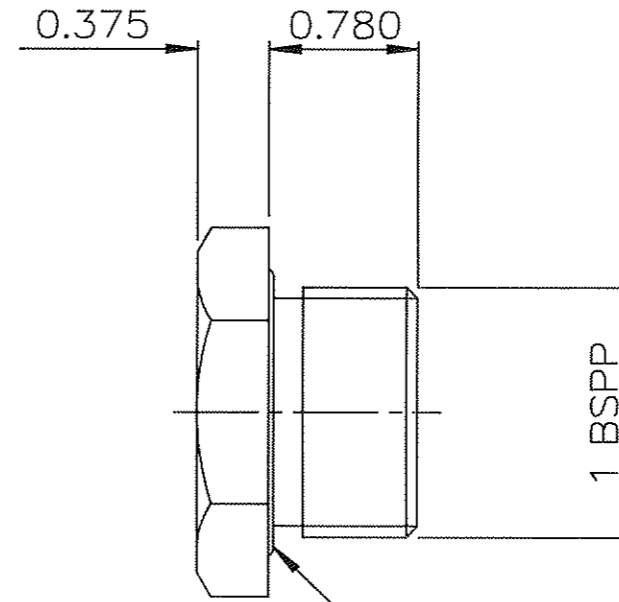
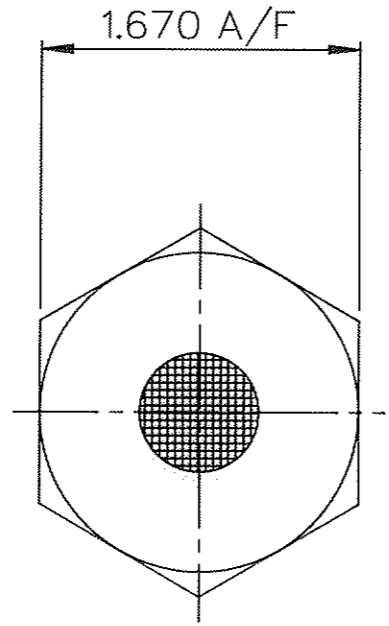
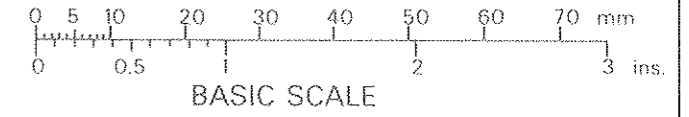
THIS DESIGN IS THE PROPERTY OF BROWNELL LTD. AND MAY NOT BE COPIED OR REPRODUCED WITHOUT THEIR PRIOR WRITTEN PERMISSION.

DRG. No.  
BL/D 6076 INST  
USED ON

THIRD ANGLE PROJECTION

REMOVE ALL SHARP EDGES UNLESS SPECIFIED.

DO NOT SCALE - ASK.



DIRECTION OF FLOW →

OPENING PRESSURE: 1 - 2" Wg

|        |          |       |         |
|--------|----------|-------|---------|
|        |          |       |         |
|        |          |       |         |
|        |          | A     | 28/9/92 |
| CHANGE | MOD. No. | ISSUE | DATE    |

|                                       |                           |  |                                |                               |             |                        |
|---------------------------------------|---------------------------|--|--------------------------------|-------------------------------|-------------|------------------------|
| MATERIAL<br>STAINLESS STEEL<br>316S16 | PROTECTIVE TREATMENT<br>— | TOLERANCES UNLESS STATED<br>±0.032                     | BROWNELL LTD. LONDON, N.W.10.  | CUSTOMERS REF.                | DRAWN<br>LJ | CHECKED<br>[Signature] |
| EST. WT. —                            |                           | DIMNS. IN INS/ <del>mm</del><br>SCALE (ORIGINAL) 1 : 1 | TITLE<br>RELIEF VALVE (INWARD) | DRAWING No.<br>BL/D 6076 INST |             |                        |