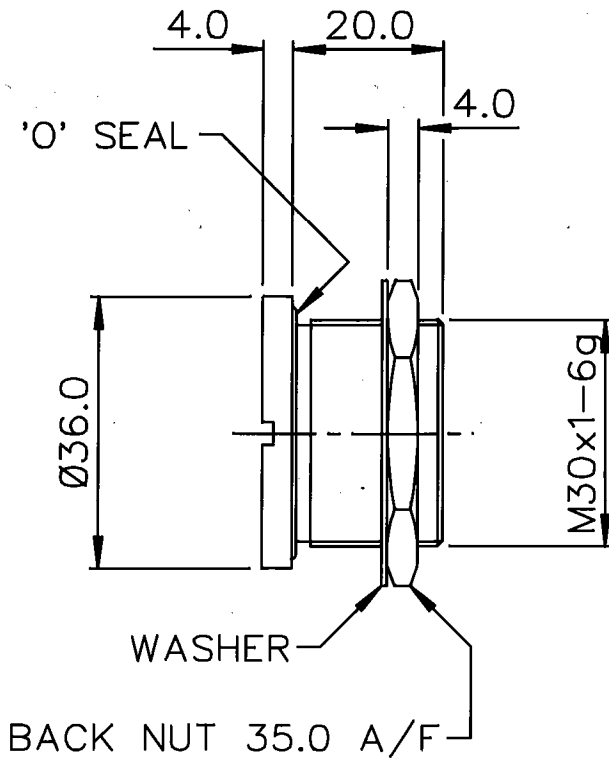
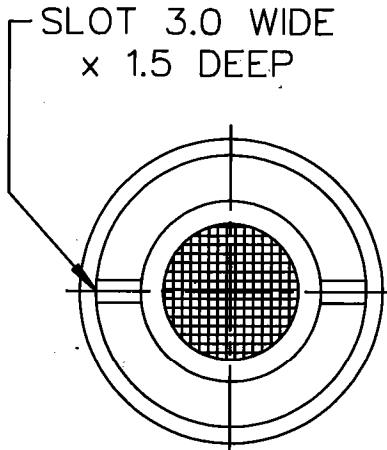


DRG. No.

BL/D 6189 INST

THIRD ANGLE
PROJECTION

USED ON



OPENING PRESSURE: 0.5 PSI (FULLY OPEN BY 0.75 PSI).
LEAK RATE LESS THAN 1 cc/HOUR.

THIS DESIGN IS THE PROPERTY OF BROWNELL LTD. AND MAY NOT BE COPIED OR REPRODUCED WITHOUT THEIR PRIOR WRITTEN PERMISSION.

MATERIAL HOUSING ALUM ALLOY	PROTECTIVE FINISH ANODISED BLACK				
EST. WT. —		CHANGE	MOD. No.	ISSUE	DATE
DIMNS IN mm	SURFACE ROUGH	TOLERANCES ±0.5			
SCALE 1 : 1	—			A	13/1/93
BROWNELL LIMITED LONDON N.W.10			DRAWN LJ	CHKD. JK	
SUB CONT. —	SUB CONT. DRG. REF. —				
TITLE RELIEF VALVE — OUTWARD			DRAWING No. BL/D 6189 INST		