

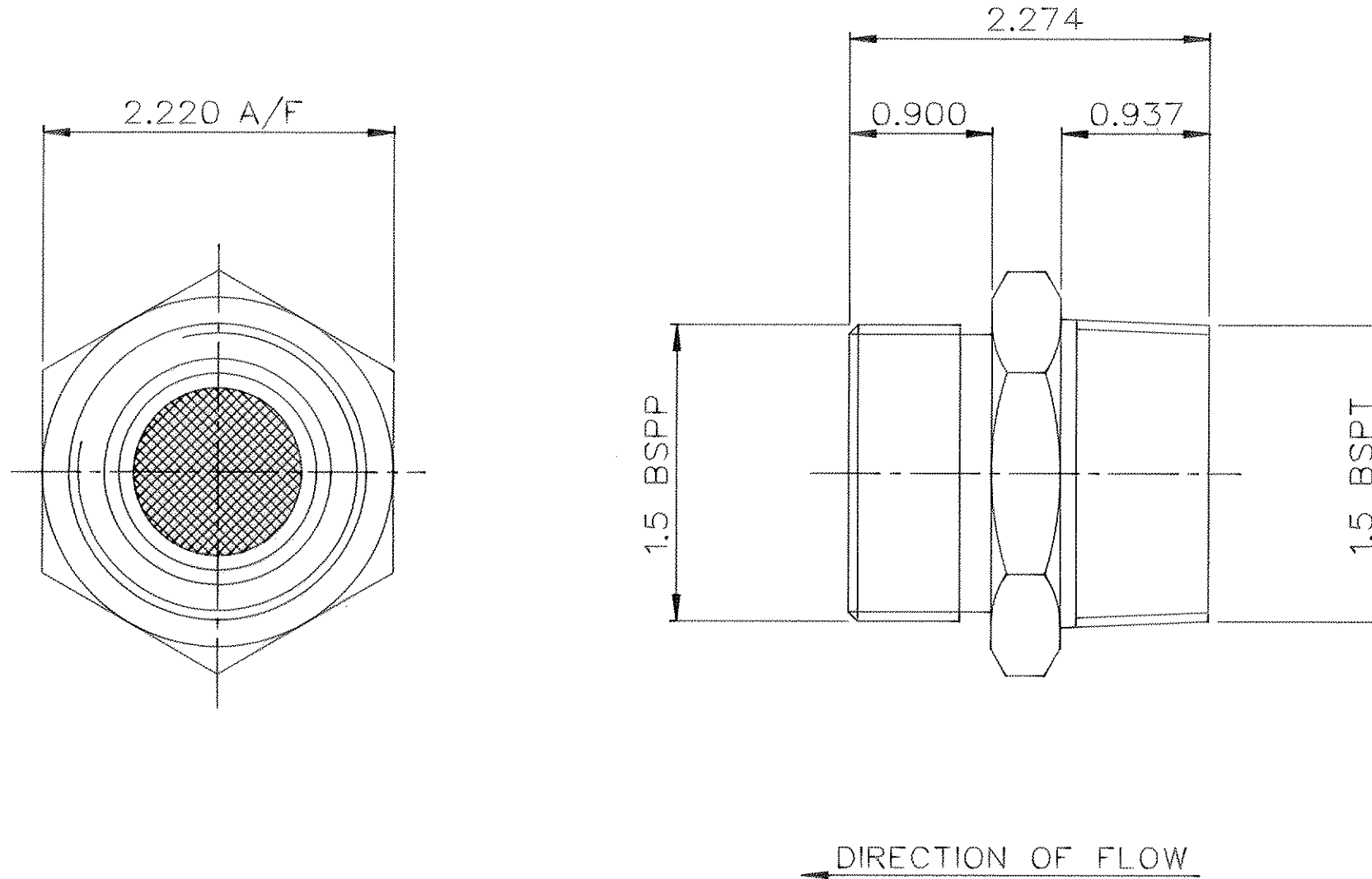
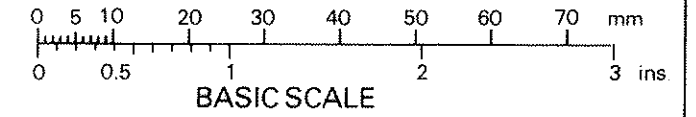
THIS DESIGN IS THE PROPERTY OF BROWNELL LTD. AND MAY NOT BE COPIED OR REPRODUCED WITHOUT THEIR PRIOR WRITTEN PERMISSION.

DRG. No.
BL/D 6604 INST
USED ON

THIRD ANGLE PROJECTION

REMOVE ALL SHARP EDGES UNLESS SPECIFIED.

DO NOT SCALE - ASK



OPENING PRESSURE: 1 - 2" Wg.
CONFORMS TO PRODUCT SPECIFICATION No 7000.

| | | | |
|--------|----------|-------|---------|
| | | | |
| | | | |
| | | A | 8/11/93 |
| CHANGE | MOD. No. | ISSUE | DATE |

| | | | | | | |
|---------------------------------------|------------------------------|------------------------------------|--|-------------------------------|-------------|--------------|
| MATERIAL STAINLESS STEEL 316S16 | PROTECTIVE TREATMENT — | TOLERANCES UNLESS STATED ±0.040 | BROWNELL LTD. LONDON, N.W.10. TITLE RELIEF VALVE (OUTWARD) | CUSTOMERS REF. | DRAWN LJ | CHECKED K |
| EST. WT. — | DIMNS. IN INS/ mm | SCALE (ORIGINAL) 1 : 1 | | DRAWING No. BL/D 6604 INST | | |