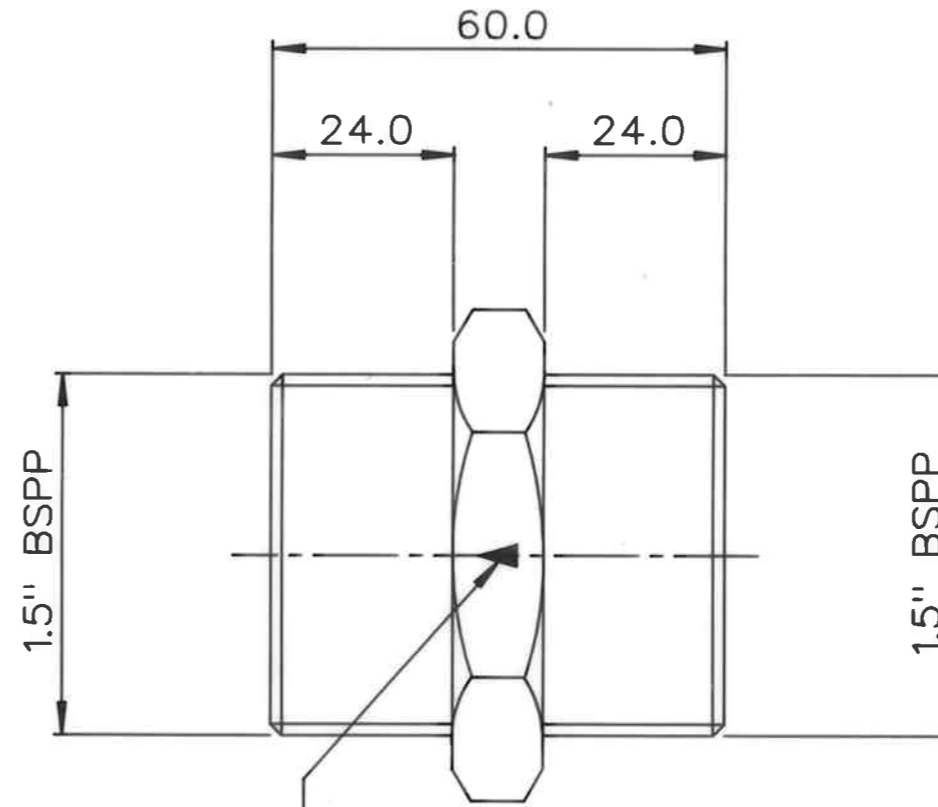
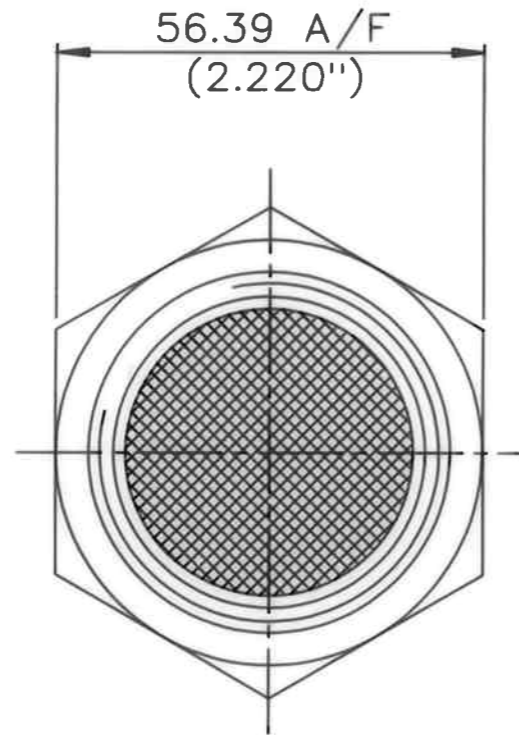
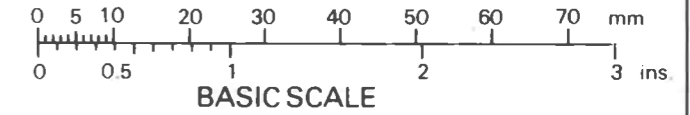


DRG. No.  
BL/D 7067/03 INST  
USED ON

THIRD ANGLE PROJECTION

REMOVE ALL SHARP EDGES UNLESS SPECIFIED.

DO NOT SCALE - ASK.



ARROW INDICATES DIRECTION OF FLOW

OPENING PRESSURE: 3 - 4" Wg.

CONFORMS TO PRODUCT SPECIFICATION No 7000.

		A	9/3/94
CHANGE	MOD. No.	ISSUE	DATE

MATERIAL  
ALUM ALLOY  
EST. WT. —

PROTECTIVE TREATMENT  
ANODISED BLACK

TOLERANCES UNLESS STATED  
±0.5  
DIMNS. IN ~~mm~~/m.m.  
SCALE (ORIGINAL) 1 : 1

BROWNELL LTD. LONDON, N.W.10.  
TITLE  
OUTWARD RELIEF VALVE WITH EXTERNAL FITTING (1.5" BSPP)

CUSTOMERS REF.  
DRAWN LJ  
CHECKED [Signature]  
DRAWING No.  
BL/D 7067/03 INST

THIS DESIGN IS THE PROPERTY OF BROWNELL LTD. AND MAY NOT BE COPIED OR REPRODUCED WITHOUT THEIR PRIOR WRITTEN PERMISSION.