

THIS DRAWING IS THE PROPERTY OF BROWNELL LTD. AND MAY NOT BE COPIED OR REPRODUCED WITHOUT THEIR PRIOR WRITTEN PERMISSION

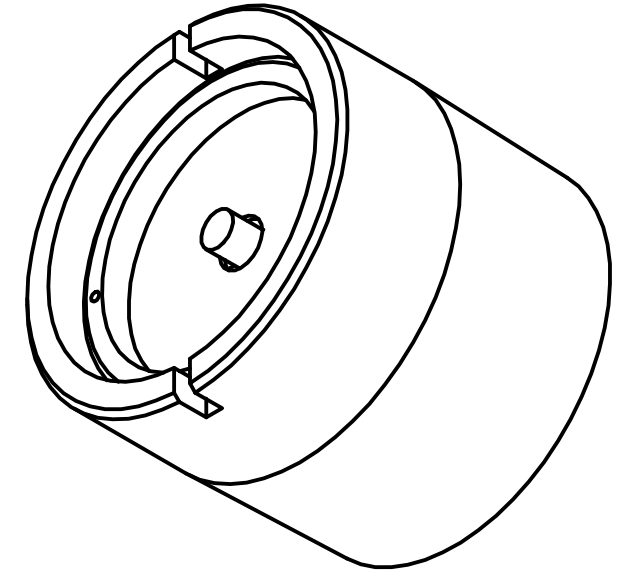
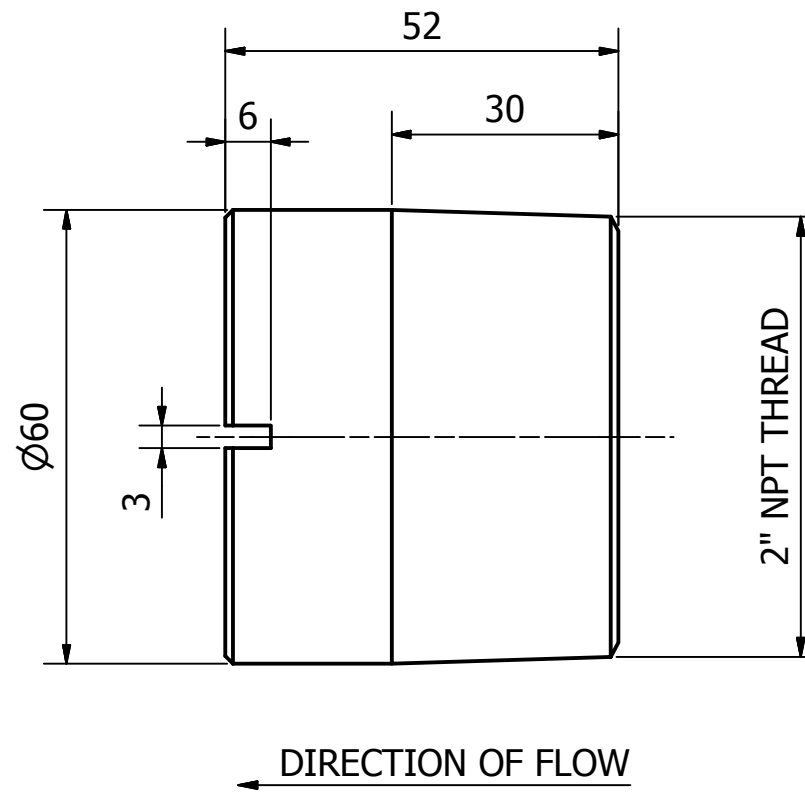
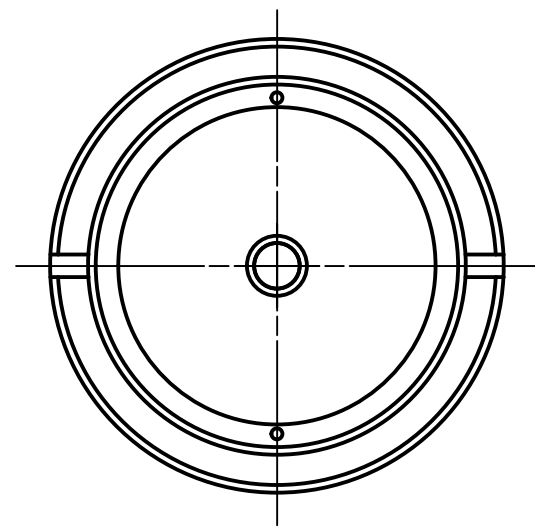
DRG No  
BL/D8042/01-06 INST

USED ON ---

REMOVE ALL SHARP EDGES UNLESS SPECIFIED

THIRD ANGLE PROJECTION

DO NOT SCALE - ASK



ISOMETRIC VIEW  
(SCALE 1:1)

DRAWING No.	OPENING PRESSURE	VALVE SEAT MATERIAL
BL/D8042/01	2.0 ± 0.25 PSIG	VITON
BL/D8042/02	6" ± 2" WG	NITRILE
BL/D8042/03	20" ± 2" WG	NITRILE
BL/D8042/04	3.5 PSI	NITRILE
BL/D8042/05	2.9 PSI	VITON
BL/D8042/06	2-3" WG	VITON

CHANGE	MOD No	ISSUE	DATE
ADDED /05 & 06	6849	4	28/06/16
REDRAWN	6179	3	11/01/06

RED DOT=ORIGINAL  
BLACK DOT=COPY

DRAWN AF  
CHECKED *NP*

DRAWING NUMBER  
BL/D8042/01-06 INST

MATERIAL  
316 STAINLESS  
STEEL

EST. WT. ---

PROTECTIVE FINISH  
NATURAL

TOLERANCES 0 = ± 0.5  
0.0 = ± 0.25  
0.00 = ± 0.05

DIMENSIONS IN in/mm MM  
SURFACE ROUGHNESS ---  
SCALE (ORIGINAL) 1:1

**BROWNELL Ltd. LONDON NW10 7XF**

TITLE  
2" NPT 316 ST.STEEL VALVE